

TECHNICAL DATA SHEET

VALSIR® TRAPS

T-58



valsir®
QUALITY FOR PLUMBING

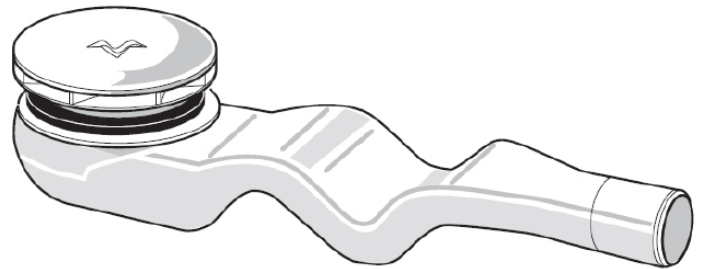
TRAP T-58

MODEL: Shallow trap

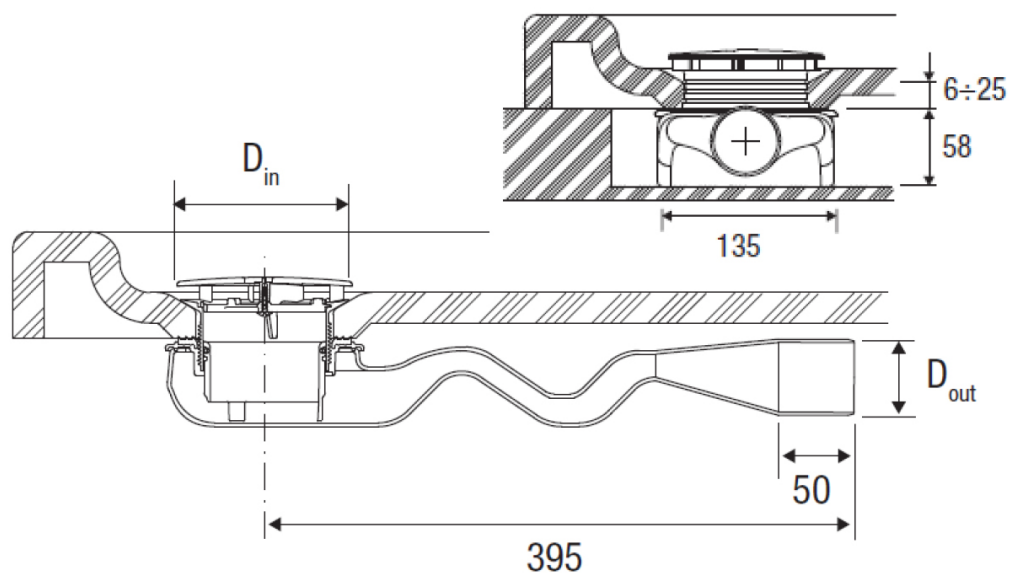
Valsir T-58 is a shallow trap made of polypropylene (PP).
The trap has a double water seal with a pressure resistance of 700 Pa.
The maximum flow rate is 49.2 l/min.

Charateristics

Codes:	VS0700291 VS0700293
Raw material:	Polypropylene (PP)
Minimum height:	58 mm
Inlet diameter:	90 mm
Outlet diameter:	50 mm
Flow rate:	0.82 l/s



Size:



TRAP T-58

MODEL: Shallow trap with PVC waterproofing membrane

Valsir T-58 is a shallow trap made of polypropylene (PP).

The trap has a double water seal with a pressure resistance of 700 Pa.

The maximum flow rate is 49.2 l/min.

T-58 is provided with 1 mm thick PVC waterproofing membrane with central hole and flange.

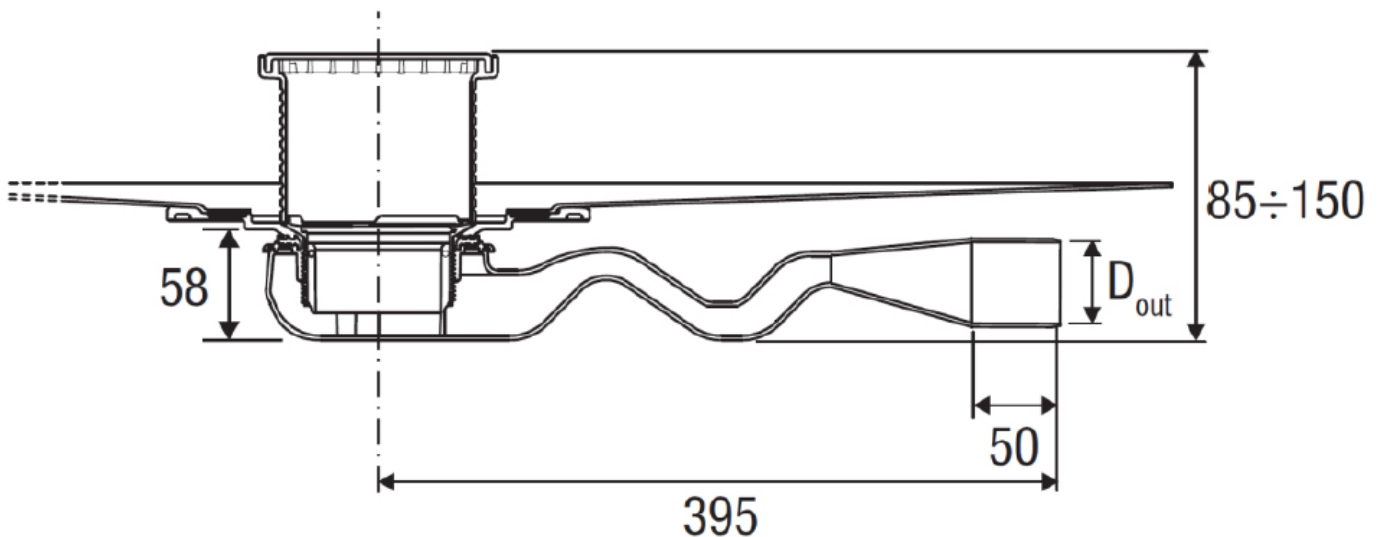
The size of the stainless steel grating is 128x128 mm.

Charateristics

Code:	VS0700385
Raw material:	Polypropylene (PP)
Minimum height:	58 mm
Inlet diameter:	90 mm
Outlet diameter:	50 mm
Flow rate:	0.82 l/s
Size of PVC sheet:	1800 x 1800 mm



Size:



PLUMBING

WASTE SYSTEMS



SUPPLY SYSTEMS



GAS SYSTEMS



FLUSH SYSTEMS



BATHROOM SYSTEMS



TRAPS



RADIANT SYSTEMS



DRAINAGE SYSTEMS



HRV SYSTEM



ACADEMY



SEWER SYSTEMS



WATER TREATMENT



BUILDING

valsir[®]
QUALITY FOR PLUMBING

VALSIR S.p.A.
Località Merlaro, 2
25078 Vestone (BS) - Italy
Tel. +39 0365 877.011
Fax +39 0365 81.268
e-mail: valsir@valsir.it

www.valsir.com

Soggetta all'attività di direzione e coordinamento ex art. 2497 bis C.C. da parte di Silmar Group S.p.A. - Codice Fiscale 02075160172

TO2-234/1 - Novembre 2017